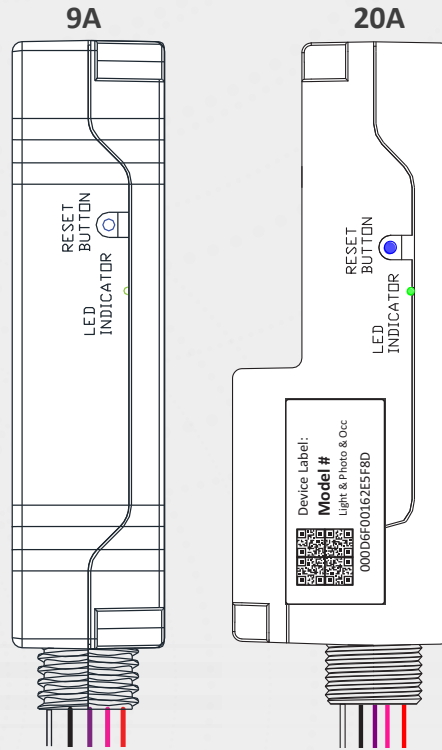


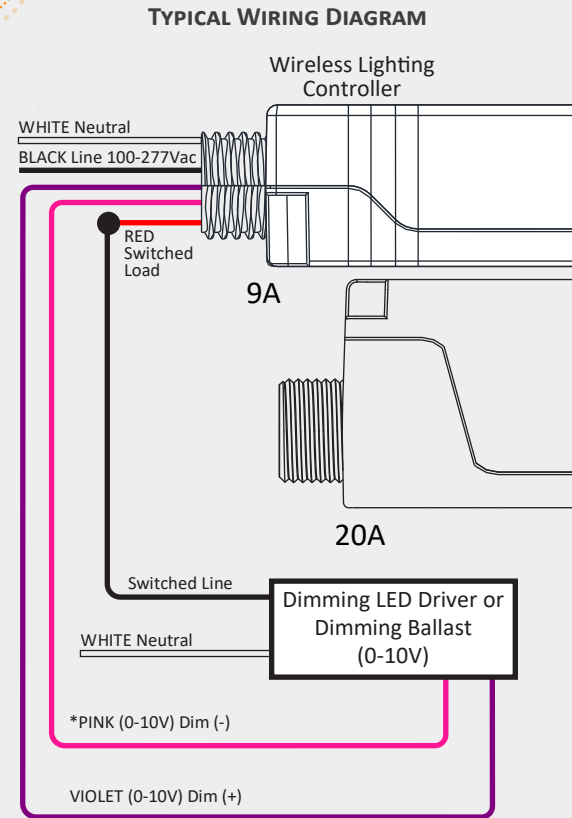
- ON/OFF
- DIMMING



Model #:  
ARD09-ZB(9A)  
ARD20-ZB(20A)



2



**NOTE:** Per NEC/UL, the 0-10V negative dimming wire color has changed from Gray to Pink effective January 1, 2022.

**NOTE:** For installations where dimming will not be used, please cap off the purple and pink wires 'separately'.

**NOTE FOR 9A**

**(1) MAX RATED AC RELAY LOADS (RED WIRE):**

LED Driver, Electronic Ballast, Incandescent & Inductive Load: 1200W@277VAC, 1000W@208-240VAC, 800W @ 120VAC

AC Resistive Load: 100-277Vac 50/60Hz, 9A Maximum.

**NOTE FOR 20A**

**(1) Max Rated AC Relay Loads (RED Wire):**

AC Zero Cross Switching  
E-Ballasts, Magnetic Ballast, LED Drivers & Incandescent Loads:

2,216W @ 277VAC, 8A

1,920W @ 208-240VAC, 8A

1,920W @ 120VAC, 16A

AC Resistive Load: 100-277Vac 50/60Hz, 20A max.

3

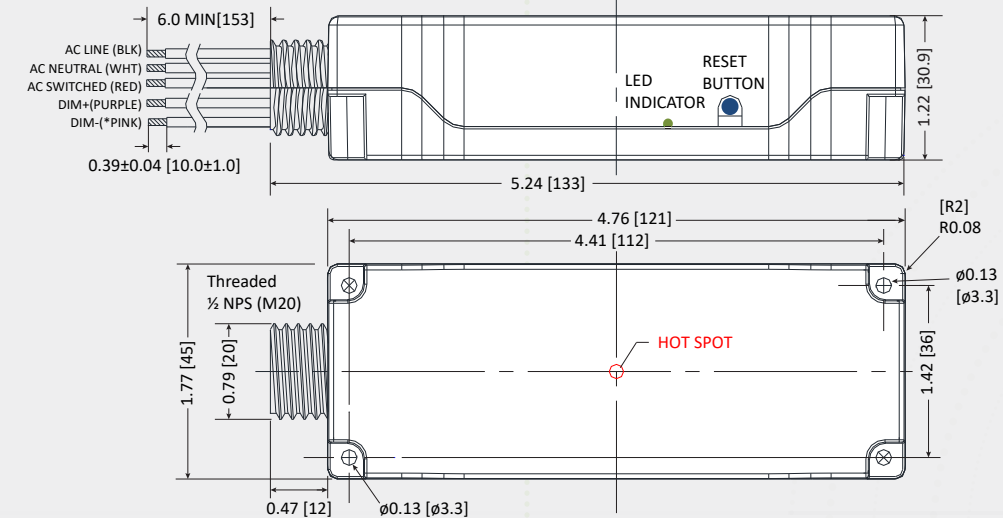
**INSTALLATION & MOUNTING INSTRUCTIONS**

**9A**

Case can be mounted using the 2 mount holes provided. 1 each #4 x 1-1/2" and 1 each #4 x 1" Round Head Screws or equivalent.

**Mechanical Dimensions:** Inches [mm]

Material: Pink 5VA PC ABS Plastic Case, Weight: 140 Grams (5.0 oz.) Typical

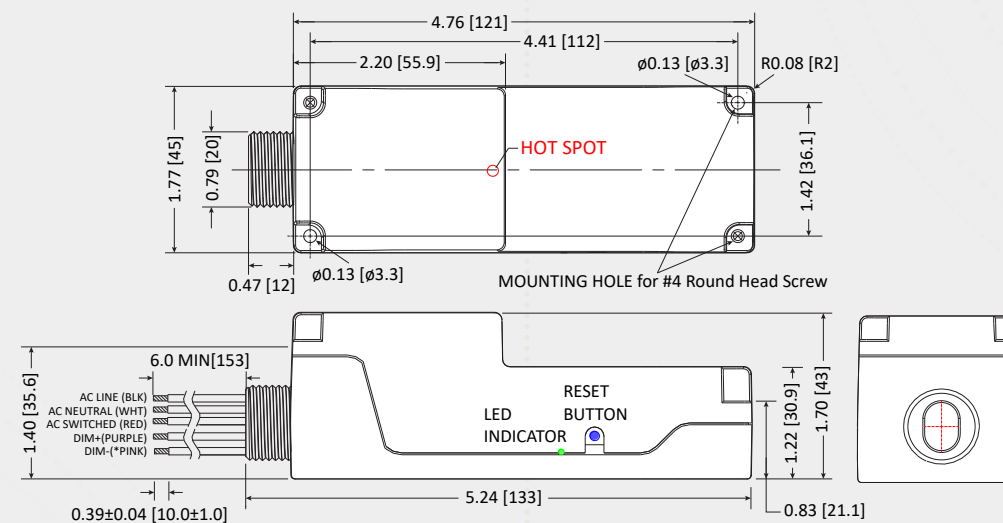


**20A**

Case can be mounted using the 2 mount holes provided. 1 each #4 x 1-1/2" and 1 each #4 x 1" Round Head Screws or equivalent.

**Mechanical Dimensions:** Inches [mm]

Material: Pink 5VA PC ABS Plastic Case, Weight: 105 Grams (3.7 oz.) Typical



**NOTE:** Per NEC/UL, the 0-10V negative dimming wire color has changed from Gray to Pink effective January 1, 2022.

**NOTE:** For installations where dimming will not be used, please cap off the purple and pink wires 'separately'.

1



Turn power OFF at the service panel for installation or repair.



- ❑ Use only copper wiring.
- ❑ There are no user-serviceable parts inside the device. Unauthorized dismantling will void the warranty.
- ❑ For warranty information, see [www.autani.com/legal](http://www.autani.com/legal).

**ZIGBEE RADIO RESET INSTRUCTIONS**

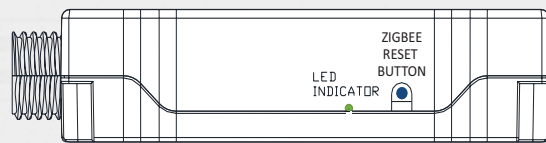
Hold reset button for 11 seconds, the lighting load will transition and the LED Green will flash.

Once the reset is performed successfully, the device will search for a network and can be added through EnergyCenter®.

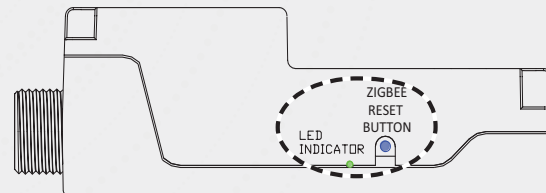
**NOTE:** If the LED is blinking, then its searching for a network.

Colors	Meaning
Solid Green	Joined to a Network
Flashing Green	Joining/Leaving Network
No green	Hardware issue/LED OFF for >3 minutes with power applied

9A



20A



**SERIAL NUMBER INFORMATION AND TRACKING**

The serial number or ID of a device is used to track device installation locations and details for the commissioning process. The identification information for each device should be tracked in a meaningful way, many devices include duplicate 'stickers' with this information. Autani provides an iOS app to assist with the process.



For help getting starting with the iOS Commissioning App please see Autani's User Guide for the iOS Commissioning App.



Once commissioning details are collected, either through the iOS Commissioning App, or by tracking identifiers on drawings/spreadsheets. Please provide this information to support@autani.com to begin the commissioning process.