

## Description

The A418P-DR -P-DR is a self-contained motion and light sensor with line voltage relay designed for installation inside commercial lighting fixtures found in parking lots, industrial yards, and other shared outdoor spaces. The weatherproof sensor uses passive infrared (PIR) sensing technology to detect motion in its coverage area and automatically dim and/or turn off lights (bi-level dimming) occupancy is no longer detected, reducing energy usage.

The sensor provides turns on its respective light fixture when motion is detected. When the sensor no longer detects movement and the standby time delay expires, 0–10V dimming compatible lights are dimmed according to the customizable dimming level and will eventually be switched off after the dimming time delay expires.

Utilizing a photocell a measured or preset ambient light threshold can keep lights off if there is sufficient natural light, leading to additional energy savings.

## Applications

This low-profile sensor is designed for installation inside the bottom of a light fixture body. Ideal for the following applications:

Parking lots	Gas stations	ATMs & kiosks
Sports facilities	Industrial yards	Airports
Pathway	Streetlights	School campuses
Public parks	Walkways	Driveways



## Features

- IP66 rated when properly fixture integrated
- Internal photodiode enables daylight harvesting
- 5 year warranty
- Multi-element PIR detector with various lens options for different coverage areas
- UL Class 2 rating for simplified installation and safety compliance
- Commissioning, adjustment, and override via IR remote control. Allows for quick setup, settings adjustment, and manual on/off override
- Line voltage on/off control of lighting fixture(s)
- 0–10V dimmable
- Selectable: 10 seconds to 60 minutes standby time delay
- Selectable: 1 to 60 minutes dimming time delay
- Internal photodiode measures ambient light and observes threshold set at measured or preset light levels
- Built-in quick installation testing mode
- Compact, UV resistant, flame retardant, impact resistant, and recyclable polycarbonate construction

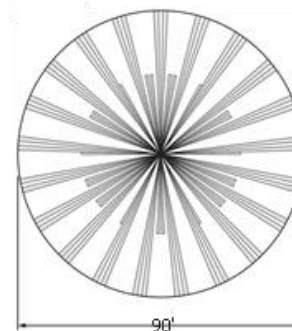
## Specifications

- Input Voltage: 120/208–240/277VAC @ 50/60Hz
- Relay Load Ratings: 800VA max @ 120VAC; 1000VA max @ 208–240VAC; 1200VA max @ 277VAC
- Relay Inrush Current: Max 221A (peak)
- Standby Time Delay Periods: 10 secs, 1 min, 5 mins (default), 15 mins, 30 mins, 60 mins
- Dimming Time Delay Periods: 1 min, 30 mins, 60 mins (default), off (dimming always on)
- Dimming Levels: 0%, 10%, 20% (default), 30%
- 0–10VDC Dimming Current: 100mA max (sink)
- Photodiode Sensitivity Range: 1 to 185 fc
- Operating Temperature: –40 to +131 °F
- Operating Humidity: 20 to 90% non-condensing
- Weatherproof Rating: IP66 (when properly installed inside rated fixture)
- Safety Certifications: UL/cUL listed #E479515, Class 2; IEC EN61000-4-5: 2kV L-N, 8/20 µsec surge protection
- Regulatory Code Compliance: California Title 24

## Commissioning

Setup is performed via IR remote control (sold separately). The remote allows adjustments to sensitivity of the PIR detector, standby and dimming time delays, dimming level, and ambient light threshold. All settings are stored in non-volatile memory in case.

## Coverage Pattern

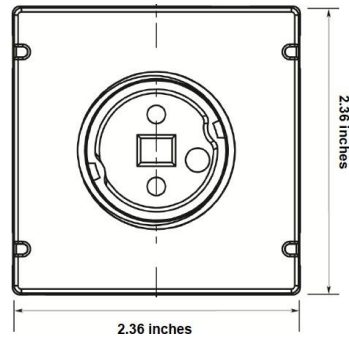
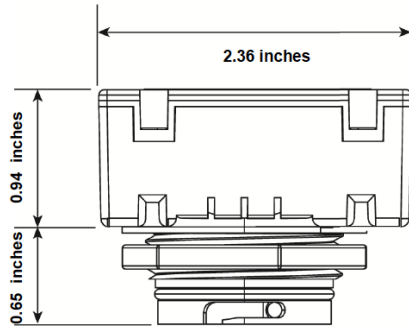


Max Distance from Ground = 40 ft

## Ordering Information

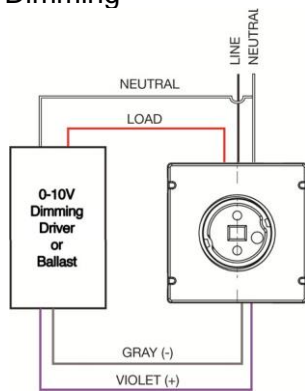
SKU	Description
A05-51-6228-01	In-Fixture, PIR Sensor with 0–10V Dimming & IR Remote Control Capabilities, <b>A418P-DR</b>
A05-51-6228-03	Standard Lens, Optimized for 40 ft Mount Height, <b>A418-ACC-LS2</b>
A05-51-6228-05	Wide Lens, Optimized for 8 ft Mount Height, <b>A418-ACC-LW1</b>
	External Photo Sensor, <b>A418-ACC-PS</b>
A05-51-6228-02	Handheld IR Remote Control, <b>AT1-ACC-RC-D2</b>

### Dimensions

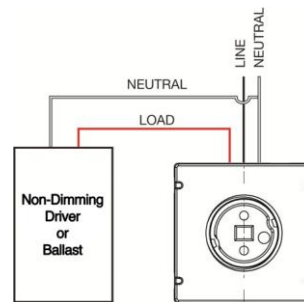


### Wiring

#### Dimming



#### Non-Dimming



### Mounting

