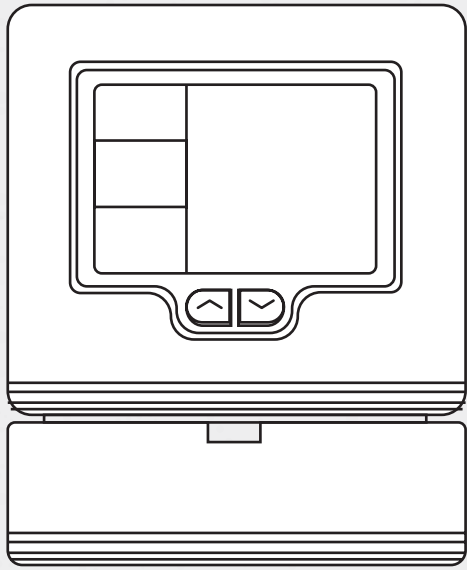
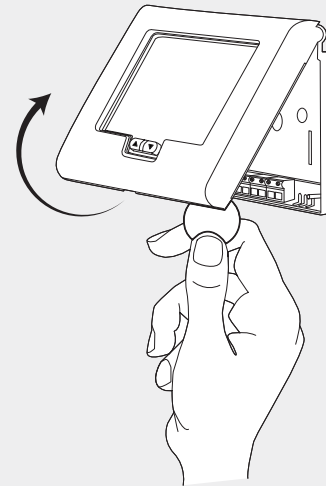


Model #  
1000152-02

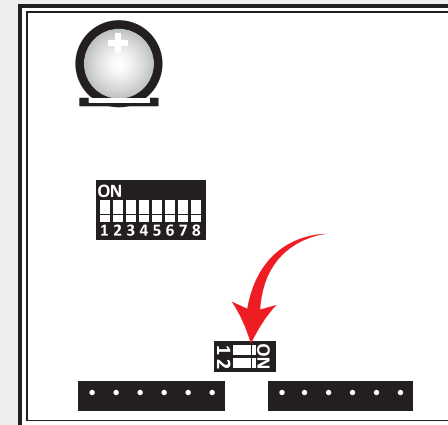


2



Insert a small coin (dime) in the release slot on the bottom of the thermostat and gently twist the coin to release the thermostat from the subbase.

4



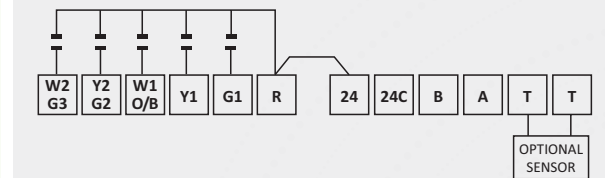
Confirm the two Modbus slide switches are in the ON position.

6

Connect the remaining HVAC wires to the thermostat terminals based on the specific equipment and corresponding wiring diagram on the back of this sheet. After inserting each wire, tighten the set screw.

**NOTE: To wire an indoor or outdoor remote sensor:**

- Wire the sensor to the T T terminals.
- The sensor wiring must be a separate 18-2 cable and should not exceed 200 feet.



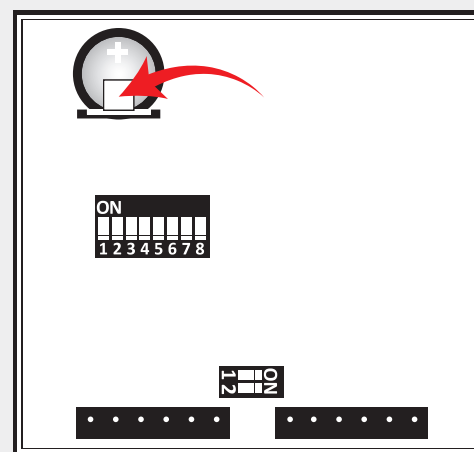
1

On the provided list of thermostat serial numbers, document the location for each thermostat.



**EXAMPLE**

3



If present, remove the white battery tab.

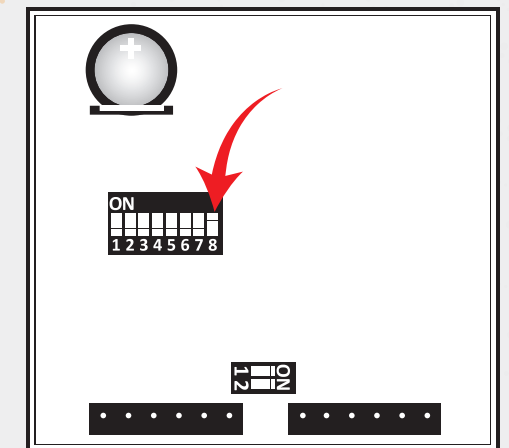
5



Make sure HVAC power is de-energized!  
Connect the thermostat wires to the HVAC equipment Hot and Common.

Terminal	HVAC	Transceiver Wire
24C	C	Black
24	R	Red

7



Set the thermostat slide switches based on the specific equipment configuration and tables on the back of this sheet, and then attach the thermostat to the subbase.

**NOTE: Switch 8 must be in the ON position.**

CONTINUED.....

8

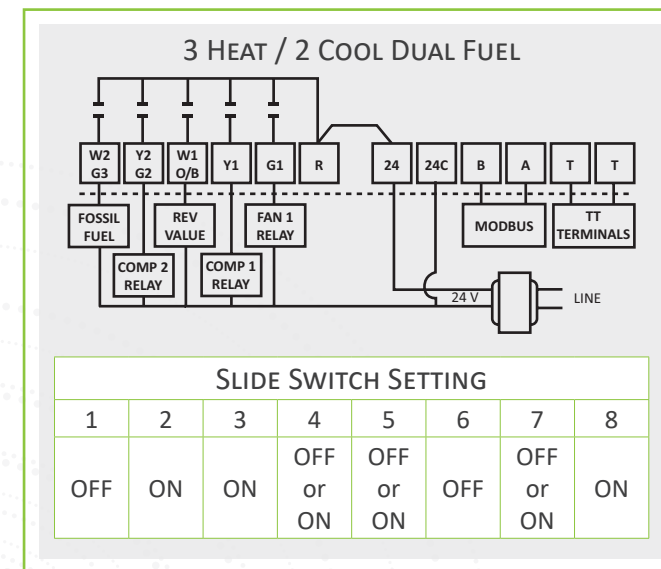
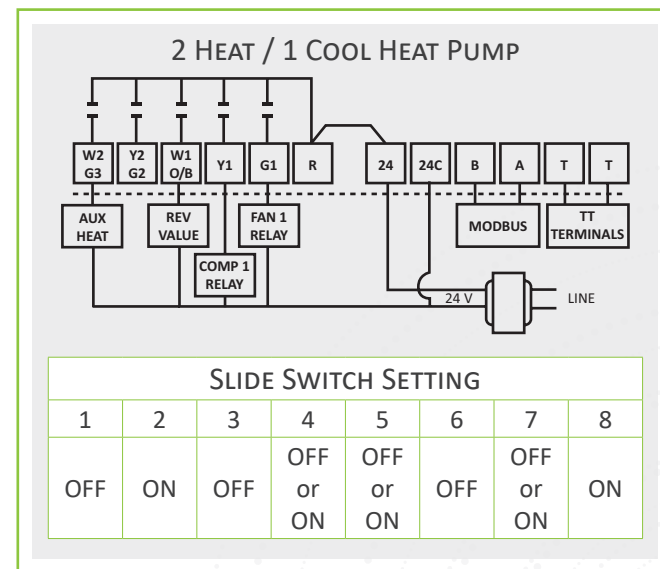
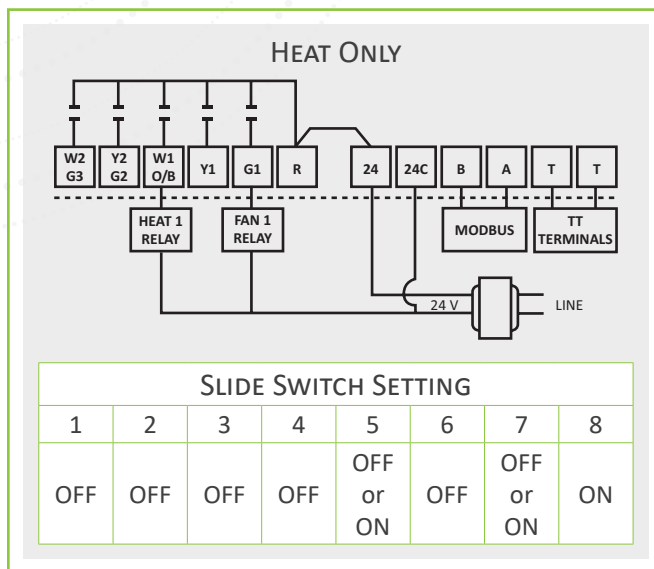
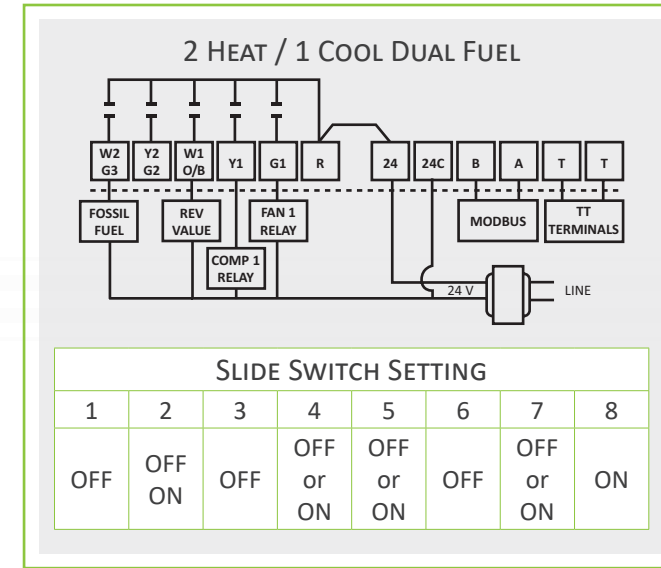
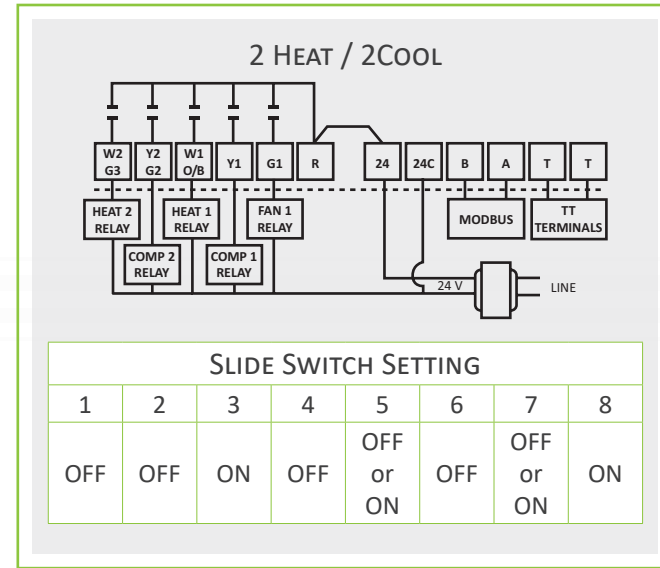
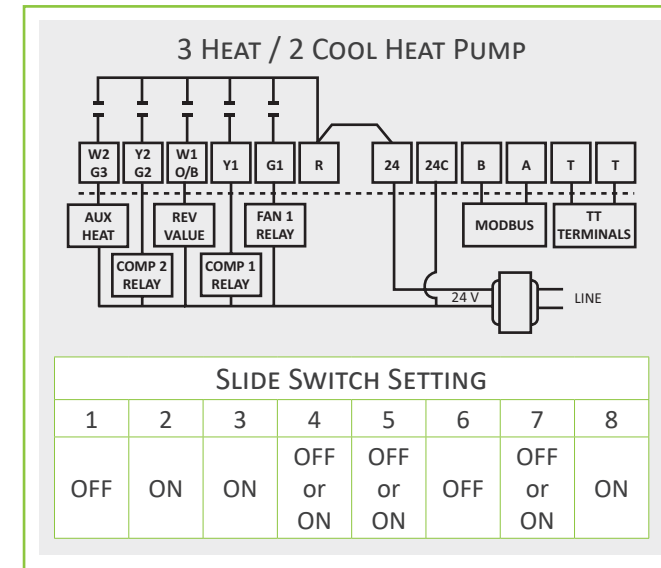
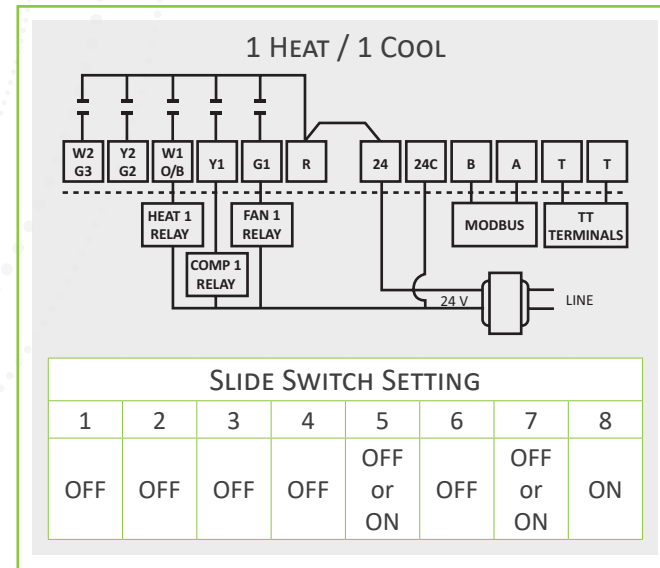


Ensure wiring is complete, and energize HVAC power.

9

REFER TO THE T-32-P THERMOSTAT INSTALLATION GUIDE FOR MENU SETTINGS:

- Required for the specific equipment applications,
- To confirm the baud rate is set at 19.2, and
- To confirm the Modbus address is set at 01.



Terminal	Designation
W2	2 <sup>nd</sup> stage heating / auxiliary heat
Y2	2 <sup>nd</sup> stage compressor
W1	First stage heating
O/B	Reversing Valve
Y1	First stage compressor
G1	Fan relay
R	24 volt hot (jumped to "24")
24	24 volt hot
24C	24 volt common
B	Modbus communications
A	Modbus communications
T	Auxiliary input terminal
T	Auxiliary input terminal

Switch	Designation
Sw1	Fan Relay
Sw2	Heat / Cool
Sw3	Single Stage
Sw4	<input type="checkbox"/> Equipment Controls Fan <input type="checkbox"/> Reversing Valve for Heat Pumps <span style="margin-left: 20px;"><input type="checkbox"/> OFF - O = RV Energized in Cooling</span> <span style="margin-left: 20px;"><input type="checkbox"/> ON - B = RV Energized in Heating</span>
Sw5	Short Cycle Protection <span style="margin-left: 20px;"><input type="checkbox"/> OFF - None</span> <span style="margin-left: 20px;"><input type="checkbox"/> ON - Two minutes</span>
Sw6	Non-programmable
Sw7	Minimum Run Time <span style="margin-left: 20px;"><input type="checkbox"/> OFF - Two minutes</span> <span style="margin-left: 20px;"><input type="checkbox"/> ON - Six minutes</span>
Sw8	Setpoints - Must be in ON position