

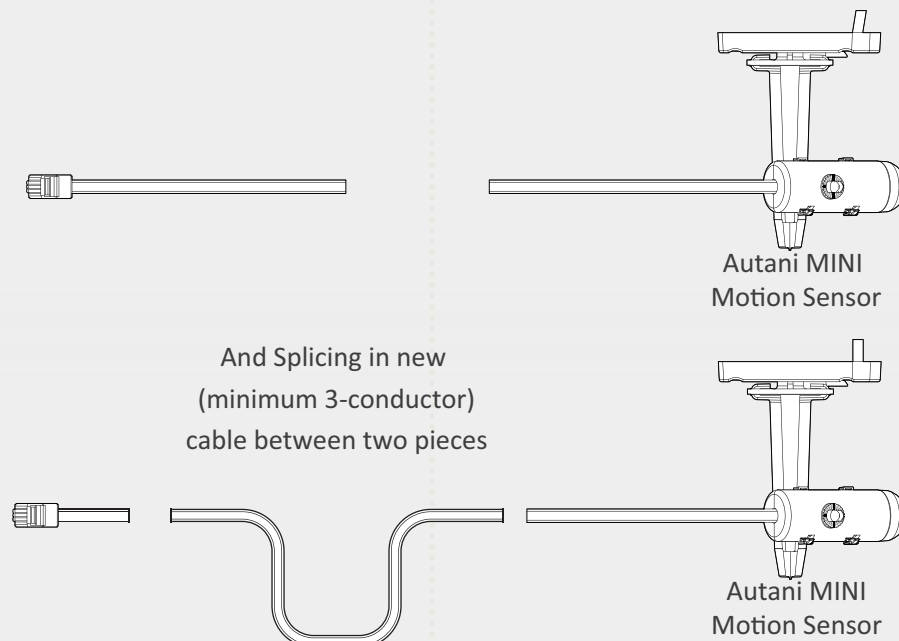
3

If necessary, connect by slicing them in series and/or extend the length of the motion sensor cable using one of the methods below.

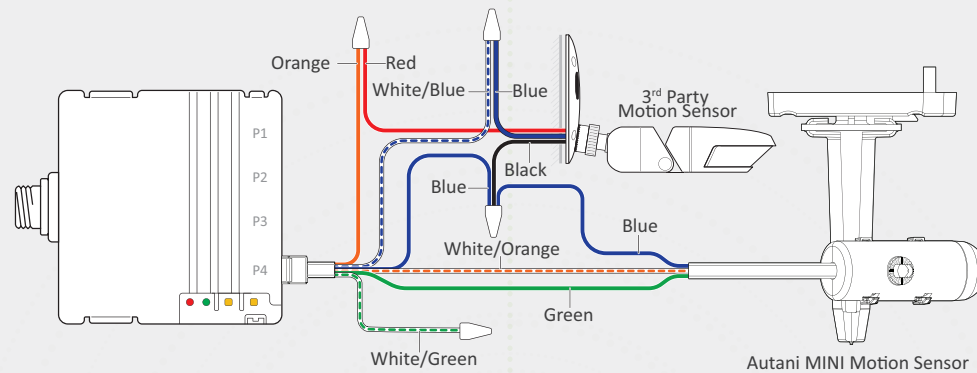
Direct connection to the P4 port



Cutting Cable



Connecting multiple sensors



4

Plug the motion sensor cable into the ARC/WRC.



5

Mount sensor on track of drop ceiling.

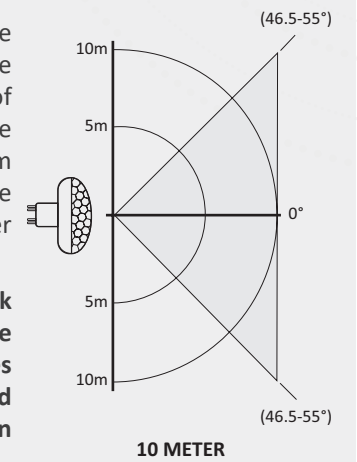
NOTE: For other mounting options, use the Autani wall/ceiling mounting kit (P/N 100419).



6

Point the lens of the sensor toward the floor and source of motion. The range detection diagram below is for the standard 10 meter sensor.

NOTE: See the back of this sheet for the detection ranges for all Autani wired and wireless motion sensors.



1

On the provided list of device serial numbers, document the location for each Sensor. Serial number for the sensor is available through ARC.

SN:AUXXXXXXXX

EXAMPLE

2

Refer to the device siting plan and/or marked-up blueprints to determine sensor locations.

NOTE: If neither is available or changes are made, keep a careful record of sensor locations.



DETECTION RANGE DIAGRAMS BY TYPE OF MOTION SENSOR

