

## Description

The Autani *MINI* Wired Sensor is an easy to install, compact, high performance motion sensor that connects directly to Autani's *WRC* series of Relay Controllers. The *MINI* detects changes in infrared radiation that occur when there is movement by a person (or object) which is different in temperature from the surroundings.

Multiple *MINI* Sensors may be connected in parallel to a single *WRC* for increased coverage in larger rooms. The *MINI* quickly mounts to a wall or ceiling using the included hardware kit and connects to Autani's *WRC* range of Relay Controllers using standard RJ-11 connectors and cabling.

Motion detected by the *MINI* is used by Autani's powerful *EnergyCenter* family of Integrated Energy Management software applications and hardware to trigger changes in lighting, load, plug load, and HVAC systems.

## Applications

*MINI Wired Motion Sensors are suitable for renovation, upgrade, and new construction projects.*

- Private & Open Offices
- Corridors & Hallways
- Classrooms & Gymnasiums
- Warehouse Spaces & Manufacturing Areas
- Patient Care Rooms
- Transportation Terminals
- Retail & Grocery Stores



## Features

- Discreet, attractive, low-profile design
- High performance, compact passive infrared motion sensor compatible with Autani's *WRC* series of Relay Controllers
- Includes mounting hardware for walls, ceilings, and standard T-Bar ceiling grids
- Multiple sensors can be connected in parallel to increase coverage area or to accommodate special room shapes
- Connects to *WRC* series Relay Controllers using standard RJ-11 connectors and cabling (modular telephone wiring)
- Quad type pyroelectric element provides precise detection, even of small movements
- **Designed & Made in the USA**

### Specifications

#### ELECTRICAL

- Input Voltage Range: 2.2 to 3.0VDC

#### ENVIRONMENTAL

- Operating Temperature: 0° to 60°C
- Storage Temperature: -25° to 80°C

#### DETECTION RANGE

- 10m Detection: 110° x 93°, 10m (32.808ft) max.

#### DETECTION CONDITIONS

- Detectable temperature difference between target and background is more than 4°C.
- Movement Speed/ 10m: 0.5 to 1.5 m/s

#### CONNECTION

- 6' Plenum Rated cable with installed RJ-11, modular connector

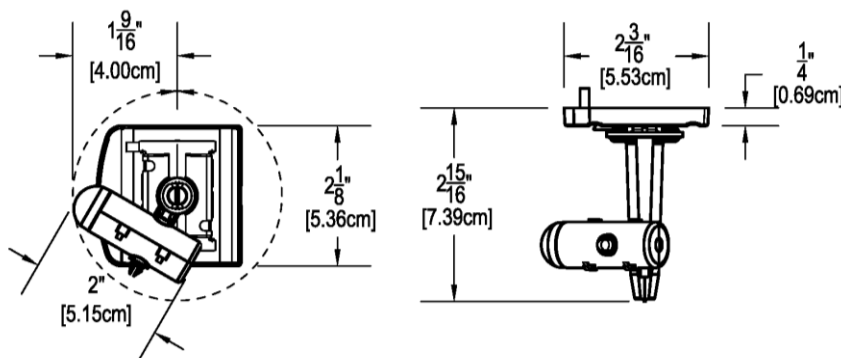
#### PHYSICAL

- Dimensions (HxWxD): 3.12 x 2.18 x 2.11in
- Color: White
- Weight/ Shipping Weight: <10 oz/ <1lb



Indoor use only

### Dimensions



### Ordering Information

SKU	Description
A05-01-0111-16	<b>MINI Wired Motion Sensor</b>  <i>Includes 6' Plenum Rated cable with RJ-11 modular connector, Motion Sensor Pivot Arm, and clip mount for standard T-Bar grid. Sensor Mounting Bracket for non T-Bar ceilings sold separately.</i>
<b>Optional Accessories</b>	
A02-01-0321-02	Modular Extension Cord (25ft Ivory), RJ-11
A02-13-0157-01	Modular Splitter to connect multiple MINI Motion Sensors, RJ-11
A02-13-0157-03	Modular Coupler (Female RJ-11 to Female RJ-11) for in-line extension, 6-Pin
A11-01-0102-01	Sensor Mounting Bracket