

Description

The *autaniNet/EnOcean Bridge* acts as a gateway between devices using the EnOcean wireless standard and Autani *EnergyCenter* devices communicating wirelessly via *autaniNet*.

By linking *autaniNet* and EnOcean devices, the user reaps the benefits of both worlds—the convenience of EnOcean’s self-powered capabilities and the increased functionality of the much larger wireless range that Autani provides.

The *autaniNet/EnOcean Bridge* can serve as more than a gateway—it also has the capability to act as a remote, self-powered temperature sensor. Simply wire the *Bridge* to Autani’s T32P thermostat, and connect the temperature sensor leads to the TT terminals. This connection allows EnOcean self-powered temperature sensors to report remote temperatures to the T32P thermostat, eliminating the need for cumbersome wired sensors or wireless sensors that require an additional power source.

Applications

The autaniNet/EnOcean Bridge is suitable for renovation, upgrade, and new construction projects.

- Private & Open Offices
- Corridors & Hallways
- Classrooms & Gymnasiums
- Warehouse Spaces & Manufacturing Areas
- Patient Care Rooms
- Transportation Terminals
- Retail & Grocery Stores



Features

- Expands the range of a network of EnOcean devices when used within an *autaniNet* network
- Ties together EnOcean and Autani devices under *autaniNet*, giving users powerful monitoring and management capabilities for each device via the *Autani Manager*
- When combined with an EnOcean enabled temperature sensor, the *autaniNet/EnOcean Bridge* can serve as an NTC Type II temperature sensor, reporting temperatures over the wired interface
- Powered from 12–24v AC or DC
- Secure wireless communications with both Autani *EnergyCenter* devices and EnOcean devices
- **Designed & Made in the USA**

Specifications

ELECTRICAL

- Input Voltage: 12-24V AC/DC

ENVIRONMENTAL

- Operating Temperature: 0° to 60°C
- Storage Temperature: -25° to 80°C

RANGE

- autaniNet: Approx. 600' LOS transmit/ receive
- EnOcean: Approx. 80-100' LOS transmit/ receive (see individual device)

RADIO NETWORK (autaniNet)

- IEEE 802.15.4-2003 2.4GHz ISM

RADIO NETWORK (EnOcean)

- EnOcean 902 MHz

REGULATORY APPROVALS

Module 1:

- FCC ID: V8NWAT1000153 and SZVSTM300U
- IC: 7737A-WAT1000153 and 5713A-STM300U

Module 2:

- FCC ID: SZV-STM300U and SZVSTM300U
- IC: 5713A-STM300U and 5713A-STM300U

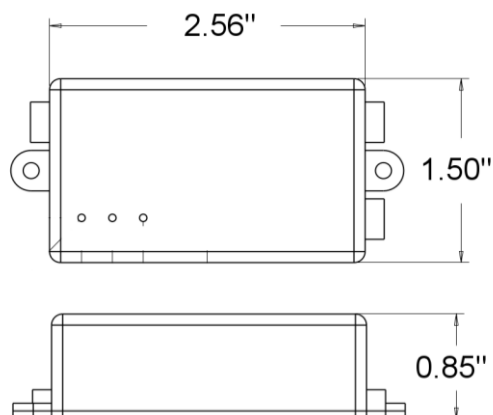
PHYSICAL

- Dimensions (HxWxD): 2.56 x 1.5 x 0.85in



Indoor use only

Dimensions



Ordering Information

SKU	Description
A06-01-0440-01	autaniNet/EnOcean Bridge
A06-010440-02	EnOcean to ZigBee Switch Transceiver

Line Drawing

