

Description

The *Autani Wireless BACnet Gateway* acts as an interface between devices using the BACnet MS/TP standard and Autani *EnergyCenter*.

By linking *BACnet* devices, the user greatly enhances the benefits of both worlds—the convenience of the widely available devices utilizing the BACnet protocol capabilities and the increased functionality of the Autani wireless network.

Used in conjunction with Autani's *EnergyCenter* and *Connect* software, any BACnet MS/TP device can be added to the Autani mesh network which then can be integrated alongside other third-party control systems and manage all of the equipment from a single, centralized interface.

Applications

Autani's BACnet Gateway is suitable for renovation, upgrade, and new construction projects.

- Private & Open Offices
- Corridors & Hallways
- Classrooms & Gymnasiums
- Warehouse Spaces & Manufacturing Areas
- Patient Care Rooms
- Transportation Terminals
- Retail & Grocery Stores



Features

- Expands the range of any network by providing BACnet control points for fans, meters, VFDs, sensors, and a host of other equipment
- Ties together BACnet and Autani devices, giving users powerful monitoring and management capabilities for each device via the *Autani Manager*
- Connects directly to a BACnet device. No control wiring required!
- Powered from 12-24v AC or DC
- Secure wireless communications with all Autani *EnergyCenter* devices and *EnOcean* devices
- **Designed & Made in the USA**

Specifications

ELECTRICAL

- Input Voltage: 12-24V AC/DC

ENVIRONMENTAL

- Operating Temperature: 0° to 60°C
- Storage Temperature: -25° to 80°C

RANGE

- *autaniNet*: Approx. 1000' LOS transmit/ receive

RADIO NETWORK (*autaniNet*)

- IEEE 802.15.4-2003 2.4GHz ISM

REGULATORY APPROVALS

Module 1:

- FCC ID: V8NWAT1000153 and SZVSTM300U
- IC: 7737A-WAT1000153 and 5713A-STM300U

Module 2:

- FCC ID: SZV-STM300U and SZVSTM300U
- IC: 5713A-STM300U and 5713A-STM300U

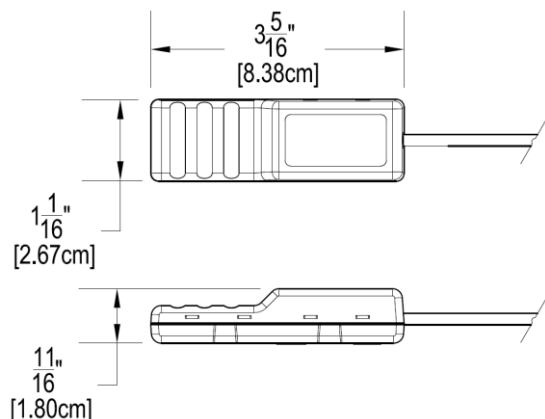
PHYSICAL

- Dimensions (HxWxD): 3.35 x 1.07 x .71in



Indoor use only

Dimensions



Ordering Information

SKU	Description
A06-01-0152-30	Wireless BACnet Gateway <i>autaniNet</i> Wireless Transceiver for BACnet devices
A06-01-0152-31	Wireless BACnet Gateway, Conformal Coated <i>autaniNet</i> Wireless Transceiver for BACnet devices