

## Description

The Autani Wireless *Closure Sensor* is an easy to install, compact, high performance dry contact sensor with an integrated wireless transceiver that uses the *autaniNet* wireless mesh network to connect to Autani *Manager* appliances and other *EnergyCenter* devices.

The low voltage, line powered *Closure Sensor* provides one channel of contact input used to detect the open-and-closed status of a pair of isolated contacts, such as a relay or switch. Wire leads can be connected to contacts and switches to sense momentary or maintained position.

Contact detected by the wireless *Closure Sensor* is used by Autani's powerful *EnergyCenter* family of Integrated Energy Management software applications and hardware to trigger changes in HVAC, lighting, load, and plug load.

## Applications

*Wireless Closure Sensors are suitable for renovation, upgrade, and new construction projects.*

- Private & Open Offices
- Corridors & Hallways
- Classrooms & Gymnasiums
- Warehouse Spaces & Manufacturing Areas
- Patient Care Rooms
- Transportation Terminals
- Retail & Grocery Stores



## Features

- Discreet, attractive, low-profile design
- High performance, compact contact closure sensor with wireless connectivity
- No control wiring required! *autaniNet* secure wireless 2.4GHz communications with Autani *Manager* and other network devices
- Multiple sensors can be located in the same room to optimize HVAC, lighting, load, and plug load control
- Low voltage, line powered device requires no batteries
- One channel of momentary or maintained dry contact input
- Quick and easy to install
- Autani's *EnergyCenter* products operate independently or as an integrated solution
- FCC Certified
- **Designed & Made in the USA**

## Specifications

### ELECTRICAL

- Input Voltage: 12 to 24VDC, 24VAC
- Input Current: 100mA max.

### I/O PORT

- Channel 1: Dry contact, momentary or maintained

### RADIO NETWORK (*autaniNet*)

- IEEE 802.15.4-2003 2.4GHz ISM
- Range: Up to 2000' LOS transmit/ receive

### REGULATORY APPROVALS

- FCC ID: V8NZRB1000152
- IC: 7737A-ZRB1000152

### ENVIRONMENTAL

- Test condition of all ratings 25°C
- Operating Temperature: 0° to 60°C
- Storage Temperature: -25° to 80°C

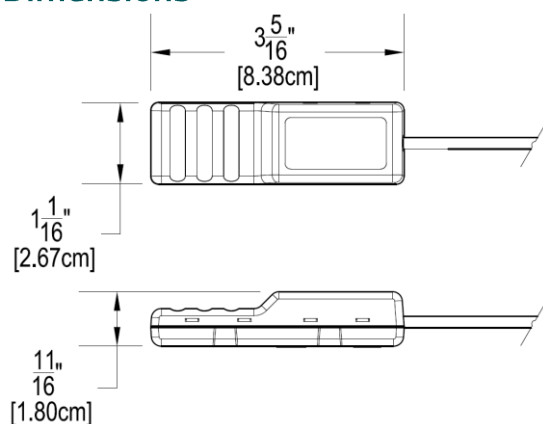
### PHYSICAL

- Dimensions (HxWxD): 3.35 x 1.07 x 0.71in
- Color: White
- Weight/ Shipping Weight: <10 oz/ <1lb



Indoor use only

## Dimensions



## Ordering Information

SKU	Description
A05-01-0160-01	Autani Wireless Closure Sensor
<b>Optional Accessories</b>	
A07-01-0403-01	<i>autaniNet</i> Wireless Range Extender. Includes 24VDC Power Supply with parallel blade plug.
A07-01-0403-02	<i>autaniNet</i> Wireless Range Extender. Requires 24VDC Power Supply (not included).