

Description

The Autani *Pulse Counter* Meter Interface wirelessly monitors pulse meters to accurately determine energy consumption. Designed to support gas and electricity pulse metering, the *Pulse Counter* uses a wireless transceiver connected to a pulse-output device to report energy consumption. Users can then view energy consumption through Autani's *EnergyCenter* measurement and verification software.

From the *Pulse Counter's* software interface on *EnergyCenter*, a user is able to configure a pulse meter by identifying the type of meter and what each pulse means. For example, a user may define that a pulse meter is "Gas Metering" with 1 pulse equal to 0.01 therms, or that a pulse meter is "Electricity Metering" with 1 pulse equal to 1 kWh. Once a meter is properly configured, the energy consumption reported by the pulse meter is stored for view and analysis.

Communication with meters, the Autani *Manager* appliance running *EnergyCenter* software, and other *EnergyCenter* devices (such as lighting and HVAC controls) is via *autaniNet*, a reliable wireless mesh network.

Applications

The Pulse Counter Meter Interface is suitable for renovation, upgrade, and new construction projects.

- Private & Open Offices
- Corridors & Hallways
- Classrooms & Gymnasiums
- Warehouse Spaces & Manufacturing Areas
- Patient Care Rooms
- Transportation Terminals
- Retail & Grocery Stores



Features

- Wireless interface to remotely collect energy consumption information from pulse meters
- Real-time alerts when daily consumption goes over a user-defined threshold
- Suitable for gas and electricity pulse metering
- Monitor and verify energy consumption with up-to-the-minute data represented through charts, graphs, and reports
- Easy-to-use interface allows users to configure pulse meters quickly and accurately to receive immediate feedback on energy usage
- *autaniNet* secure wireless 2.4GHz communications with other network devices
- Easy way to add metering & verification to Autani *EnergyCenter* systems
- **Designed & Made in the USA**

Specifications

ELECTRICAL

- Input Voltage (Vdd): 9 to 40VDC, 9 to 28VAC
- Input Current (Idd): 45mA typ., 60mA max.

RADIO NETWORK (*autaniNet*)

- IEEE 802.15.4-2003 2.4GHz ISM
- Range: Up to 2000' LOS transmit/ receive

REGULATORY APPROVALS

- FCC ID: V8NZRB1000152
- IC: 7737A-ZRB1000152

ENVIRONMENTAL

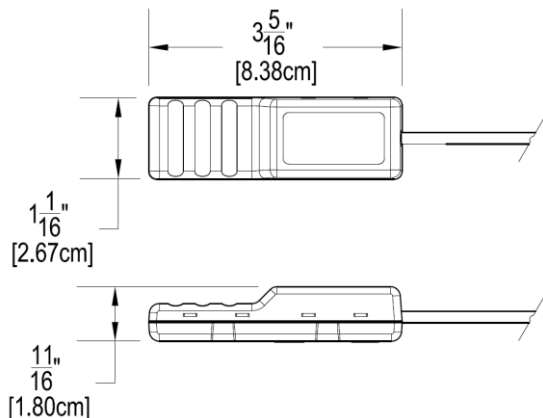
- Test condition of all ratings 25°C
- Operating Temperature: 0° to 60°C
- Storage Temperature: -25° to 80°C

PHYSICAL

- Dimensions (HxWxD): 3.35 x 1.07 x .71in
- Color: White
- Weight/ Shipping Weight: <10 oz/ <1lb

Indoor use only

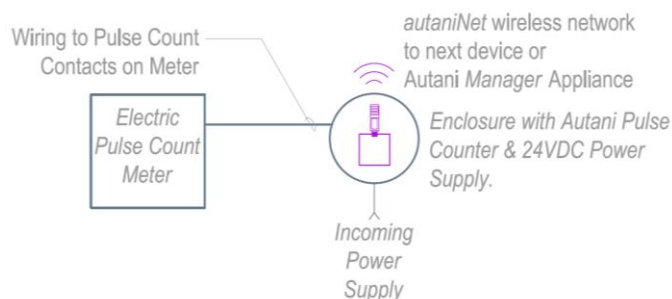
Dimensions



Ordering Information

SKU	Description
A03-01-0001-01	Pulse Counter Meter Interface <i>Requires 24vDC power supply</i>

Electric Meter Interface



Gas Meter Interface

