

## Description

The Airius Air Pear Model 45 is a wirelessly managed destratification fan. These fans form the foundation of an Air Pear Thermal Equalizer System that reduces energy consumption by increasing the efficiency of heating and cooling systems.

Stratification, or temperature layering, occurs when there is minimal air movement within an enclosed building space. Heat (naturally or artificially generated) rises to the ceiling while cold air sinks to the floor. Temperatures can increase up to 1°F per foot of building elevation.

In cold weather, destratification redirects hot air from the ceiling to the floor, recycling existing heat and reducing energy consumption. In moderate or warm weather, destratification reduces temperature differentials within the space and increases the efficiency of HVAC systems.

As a network device, the Airius Air Pear is controlled by an Autani *Manager* appliance running *EnergyCenter* software. *EnergyCenter* manages the speed, direction, and run-time of destratification fans based upon schedules and demand response requests.

## Applications

*Destratification fans are suitable for renovation, upgrade, and new construction projects.*

- Private & Open Offices
- Corridors & Hallways
- Classrooms & Gymnasiums
- Warehouse Spaces & Manufacturing Areas
- Patient Care Rooms
- Transportation Terminals
- Retail & Grocery Stores



## Features

- Destratification & Thermal Equalization can reduce energy consumption up to 30% or more
- Suitable for mounting height of 25-45 ft with up to 1500 ft<sup>2</sup> of coverage per unit (44 ft diameter)
- A properly applied array of units can achieve temperature balance within 0° to 3°F
- Control and monitoring of speed, direction, and run time via *EnergyCenter* software
- *autaniNet* secure wireless 2.4GHz communications with network devices
- Real-time alerting for user defined and system events via email or smart phone
- Easy installation for connection to building structure; drop ceiling mounting kit available
- Meets LEED EA Credit, "Optimize Energy Performance"
- Manufactured from recyclable material and shipped in recyclable corrugated packaging
- **Designed & Made in the USA**

## Specifications

### MOTOR

- 115V or 230/277V, 0 - 79 dB(A)
- Watts: 0-170 @ 115V / 0-175 @ 230/277V
- RPM: 0-2850 @ 115V / 0-3050 @ 230/277V
- CFM: 0-1180 @ 115V / 0-1290 @ 230/277V (m3/hr): 0-2004 @ 115V / 0-2191 @ 230/277V
- AMPS: 0-2.2 @ 115V / 0-1.4 @ 230/277V
- Shutoff: 275°F (135°C); Reset: 255°F (125°C)
- No lubrication required; bearings are sealed

### HOUSING

- Weight: 14lbs (6.4kgs); Diameter: 15in (380mm)
- Height to Rim: 18in (457mm); Total Height: 24in (610mm)

### COVERAGE

- Up to 1500ft<sup>2</sup> or a 44ft coverage diameter with a mounting height up to 45ft

### RADIO NETWORK (*autaniNet*)

- IEEE 802.15.4-2003 2.4GHz ISM
- Range: Approx. 1000' LOS transmit/ receive

### REGULATORY APPROVALS

- UL Standard 507 for Safety Electric Fans
- ETL certified fan and components
- 5VA flame resistance rating
- RoHS compliant

### LIMITATIONS

- Mounting height up to 45ft
- Do not install in environments open to the elements

### GENERAL

- Color(s): Gray, Cool Gray
- Outer shell and stator: Fire rated 5VA materials
- Power cord: 3 wire 18 AWG (or 16 AWG) 300VAC rated electrical cord (UL rated as SJT)
- 115VAC version comes with molded 3-prong plug
- 230/277VAC versions do not have a plug supplied
- Warranty: 3-years from shipping date

### SAFETY PRECAUTIONS PROVIDED

- Seismic restraint point for earthquake codes
- Thermal overload protection

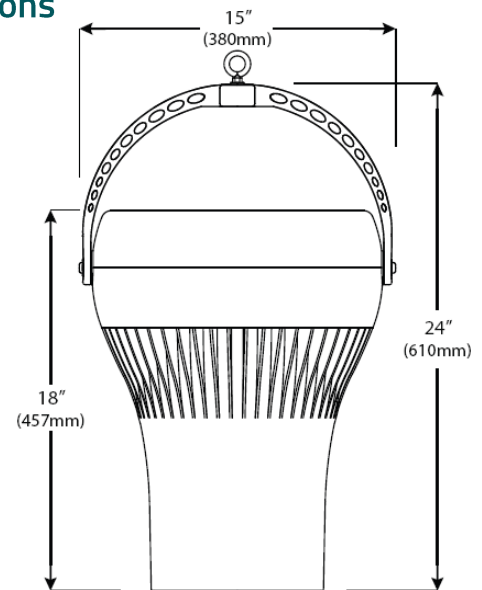


Indoor use only

## Ordering Information

SKU	Description
A01-08-0045-03	Model 45 – 115V-EL-LISA with <i>autaniNet</i> wireless control
A01-08-0045-04	Model 45 – 230/277V-EL-LISA with <i>autaniNet</i> wireless control
A01-08-0045-01	Model 45 – 115V-EL-LISA with <i>autaniNet</i> wired control
A01-08-0045-02	Model 45 – 230/277V-EL-LISA with <i>autaniNet</i> wired control
Optional Accessories	
A01-08-0001-01	Suspended Ceiling Kit – Model 45 (allows for mounting in dropped ceiling grid)
A01-08-0002-01	PHI Photohydroionization™ Kit

## Dimensions



May be covered by one or more of the following United States Patents: 7,381,129 B2; D514688 and other patents pending. AIRIUS®, AIR PEAR®, and THE THERMAL EQUALIZER® are trademarks of Airius, LLC, registered in the U.S. and in some countries abroad. Other trademarks pending in the U.S. and abroad.