


S708 is a wireless occupancy sensor, which provides world class motion detection in highbay areas to control lighting applications.



- Turn power off at the circuit breaker before installing the sensor.
- Sensor must be installed and used in accordance with appropriate electrical codes and regulations.
- Installation by a qualified electrician is required.



**INSTALLATION**

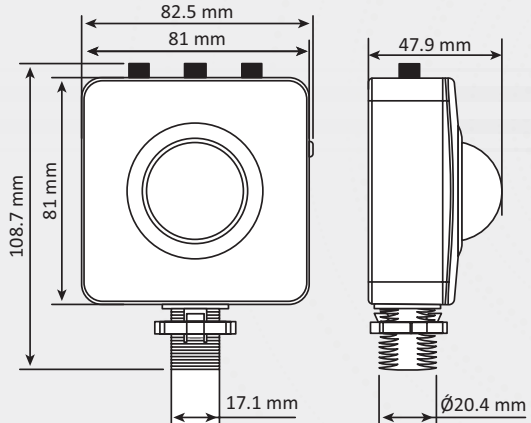
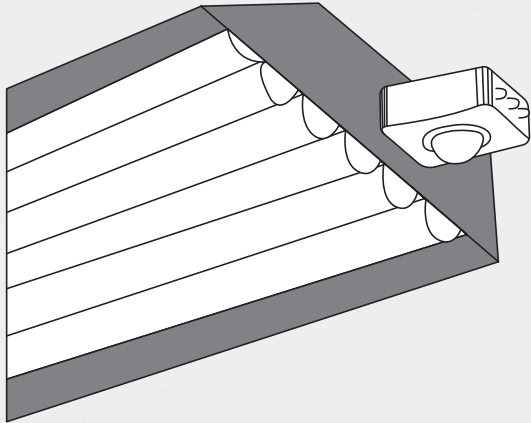
The S708 autaniNet wireless communication module is typically factory installed.



**MOUNTING**

The S708 typically mounts to a 1/2" knockout at the end of a high/low bay lighting fixture (junction box). The sensor's lens should be mounted below the bottom edge of the fixture.

- Detection lens must have a clear, unobstructed view of controlled area and must project beyond the lamps.
- Sensor should be 6 to 8 feet away from heating/cooling supply ducts.
- Ideal mounting height is up to 45 feet.
- Must be mounted on a stable platform.

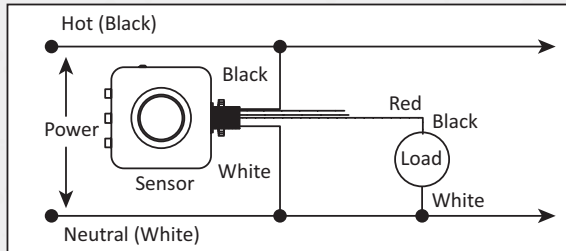
CONTINUED.....

5

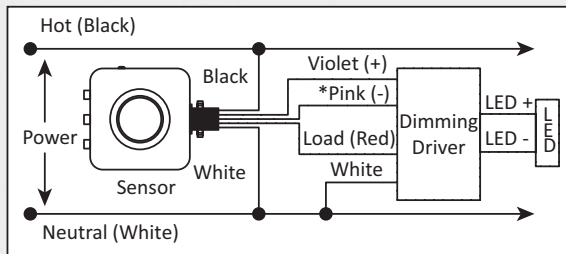
**WIRING**

When installing the S708, ensure that power has been turned OFF at the breaker panel.

**Non-Dimmer Driver**



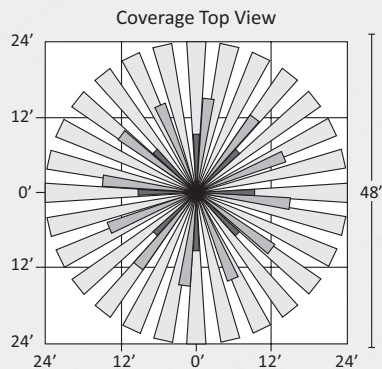
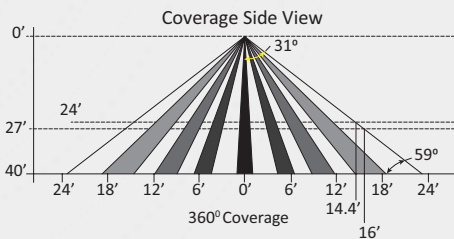
**Dimmer Driver**



**NOTE:** Per NEC/UL, the 0-10V negative dimming wire color has changed from Gray to Pink effective January 1, 2022.

6

**COVERAGE PATTERN**



7

**COMMISSIONING**

Setup and adjustments are performed via Cortet by CEL's Cortet Lighting platform or a autaniNet compatible lighting control system. Appropriate control software allows parameter changes to PIR detector sensitivity, standby/dimming time delays, dimming level, and ambient light threshold in order to meet California Title 24 compliance or other local energy regulations.

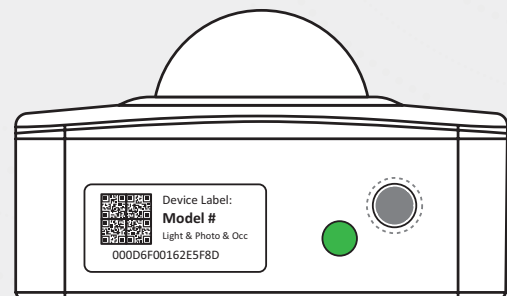
8

**OPERATION**

The sensor provides power to connected lights when motion is detected. When the sensor no longer detects movement and the standby time delay expires, 0(1)–10V dimming compatible lights are dimmed according to the set dimming level and will eventually be switched off after the dimming time delay expires. A set ambient light threshold can keep lights off if there is sufficient natural light, leading to additional energy savings.

**FACTORY RESET INSTRUCTION**

For the factory reset press the button available next to the green LED.



Once the Factory Reset is performed successfully, the device will search for a network and can be added through EnergyCenter®.