

# PHILIPS

## Sensors

### EasySense

#### Fixture-Mount for Networks



EasySense for networks is based on zigbee technology for use in wireless systems for indoor connected lighting. It provides a simple solution to actively manage and control energy usage, while remotely adjusting light settings and determining service needs. With the added zigbee functionality, EasySense can now be an integral part of networks also based on the zigbee standard. A program is under development by Philips to qualify third-party network systems for use with EasySense SNS300.

EasySense is renowned for its compact size and ability to easily integrate into luminaires. In addition, the sensors are compatible with Philips Advance Xitanium SR LED drivers, eliminating the need for auxiliary devices and alleviating time-consuming configuration issues. The simple two-wire connection from driver to sensor reduces design-in complexity and eliminates additional components that add to overall costs. Now SNS300 can provide fixture-specific information into networks for centralized control and enable functionality such as energy monitoring, scheduling and load shedding.

Commercial Product Name	Order Code
EasySense Fixture-Mount Sensor	SNS300

# EasySense fixture-mount sensor

## Features

- Compatible with qualified gateway and network partners
- Occupancy and daylight sensing in one device
- Compact size, 2-wire connection
- Operates with Philips Advance Xitanium SR LED drivers to control light levels and report energy data

## Benefits

- Choice of network systems to suit the application
- Combines functionality to reduce need for multiple components
- Cost-effective solution for energy-savings and code-compliance strategies
- 5-year limited system warranty with Philips Advance Xitanium LED drivers<sup>1</sup>

## Applications

- Conference rooms
- Individual offices
- Open offices
- Classrooms
- Storage and break areas
- Restrooms
- Lobbies
- Stairways

## Product Data

All specifications are typical and at 25°C Tcase unless otherwise specified.

### Ordering Information

Order Code	SNS300
Full Product Name	EasySense Fixture-Mount Sensor
Carton Quantity	50 pcs/carton

### Physical Information

Overall Dimensions	1.97in x 0.75in x 1.24in / 50mm x 19.0mm x 31.5mm
Housing (luminaire hole)	1.73in x 0.67in / 44mm x 17mm (L x w)
Net Weight per Piece	0.6oz / 17gr
Volume Required Inside Luminaire (LxWxH)	1.87in x 0.75in x 0.95in / 50mm x 19mm x 24mm
Color	White
Connectors	(2) Lite-trap connectors rated for AWG24 to AWG18 solid conductor wire (AWG22-AWG20 for stranded wire)

### Electrical Information

Input Voltage	Powered by SR driver low-voltage interface
Current Consumption	13mA
Nominal Power Consumption	200mW
Standby Power	< 1 W on luminaire level, including driver standby power

### Occupancy Sensing

Type	Passive infrared (PIR)
Behavior	Determined by network settings, no stand-alone operation

Continued on next page.

1. View limited warranty at <http://www.usa.lighting.philips.com/support/support/warranty>.

# EasySense fixture-mount sensor

## Product Data (continued)

All specifications are typical and at 25°C Tcase unless otherwise specified.

<b>Daylight Sensing</b>	
<b>Behavior</b>	Determined by network settings, no stand-alone operation
<b>Viewing Angle</b>	40° (half value sensitivity); 2% cut-off point at 75°
<b>Environment &amp; Approbation</b>	
<b>Operating Ambient Temperature Range</b>	0°C to 55°C
<b>Operating Humidity</b>	0 – 95% non-condensing
<b>Storage Temperature</b>	-25°C to 85°C
<b>Storage Humidity</b>	0-95% non-condensing
<b>Max. Case Temperature (Tcase)</b>	55°C
<b>Agency Approbations</b>	UL, CSA; Tested and approved for use in plenums; FCC ID: 2AF2N-SNS100; IC: 20659-SNS100
<b>Certification</b>	California Title 20
<b>Warranty</b>	5 years
<b>Digital Interface</b>	Xitanium SR
<b>Other</b>	
<b>Wireless Protocol</b>	Zigbee, IEEE 802.15.4
<b>Encryption</b>	AES-128
<b>LED Status Indicators</b>	Red, Yellow. Yellow LED on: Vacancy & Sensor is functional; Red LED on: Occupancy detected
<b>No. Drivers per Sensor</b>	4 maximum
<b>Max. Distance Fixture-to-Fixture</b>	40ft line-of-sight
<b>Field Configuration</b>	Via qualified third-party network system application

## Compatible LED Drivers

Refer to [www.philips.com/xitaniumsr/na](http://www.philips.com/xitaniumsr/na) for a complete list of SR drivers and SR bridges for use with EasySense.

## Compatible Systems (Gateway/Network Partners)

Philips works with third-party companies to qualify their systems for use with EasySense SNS300.

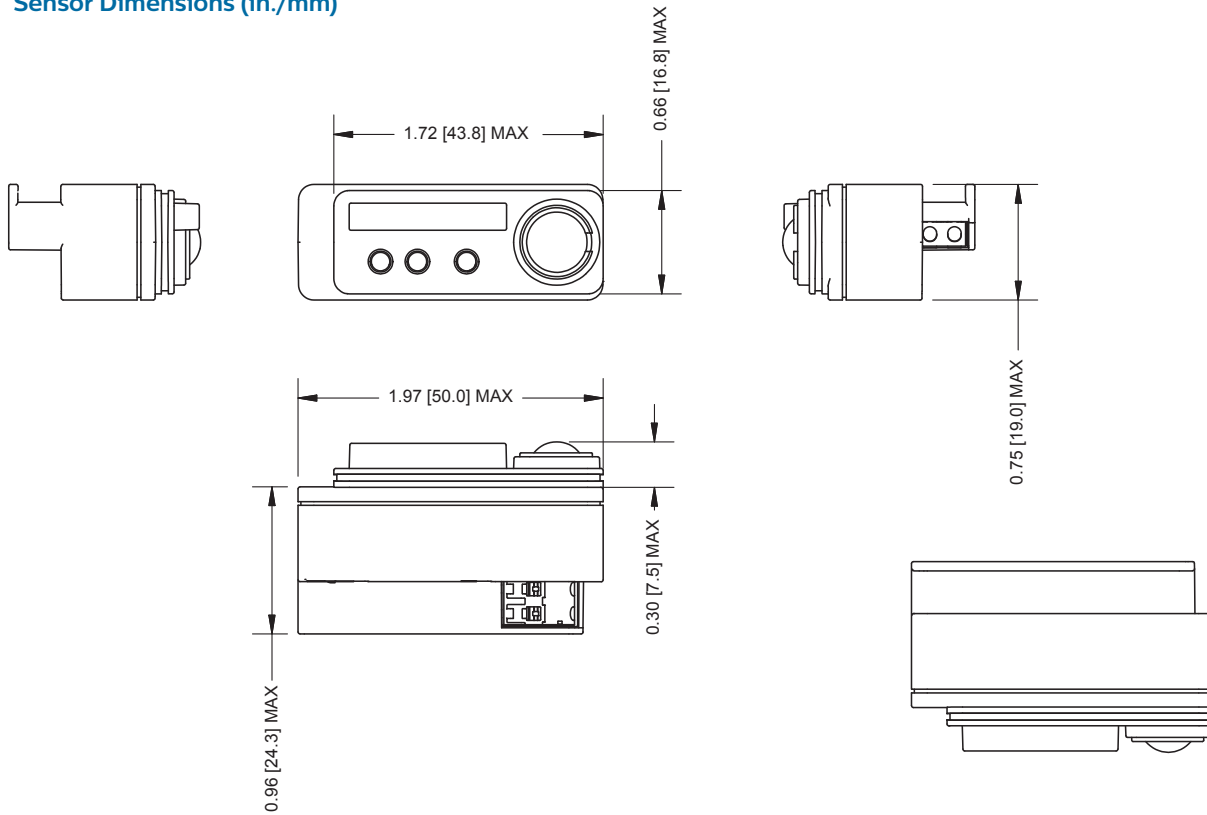
<b>Manufacturer</b>	<b>Product Name</b>
TBA	TBA

## Compatible Wireless Switches

Only for use with qualified wireless switches from qualified gateway and network partners.

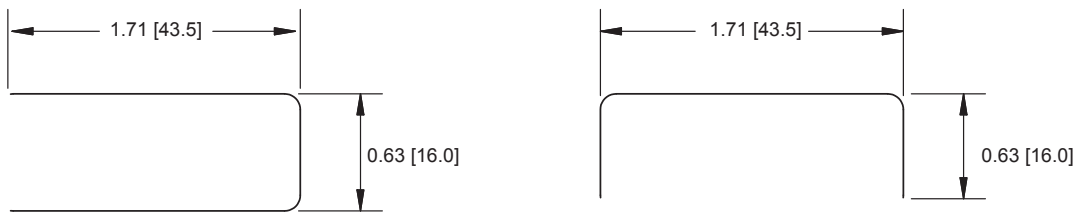
# EasySense fixture-mount sensor

## Sensor Dimensions (in./mm)

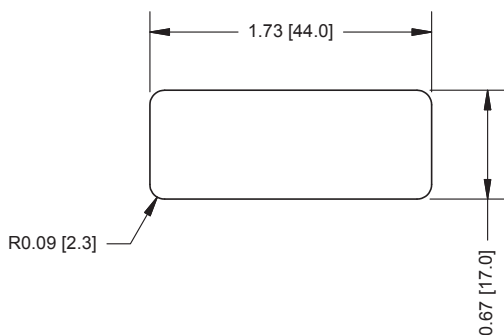


## Mounting Dimensions (in./mm)

Mounting in U-shaped slot in sheet metal (maximum thickness 1 mm), tolerance +0.2mm/-0.0mm



Mounting in cut-out in sheet metal (thickness 0.7 mm to 1.2 mm), tolerance +/-0.2mm



### Accessory Mounting Ring

Part Number SMR-50 / Set of 50

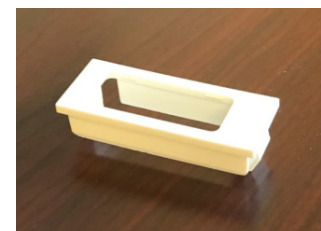
- (1) SMR-50 includes a set of (50) mounting rings
- Ordered separately, not included with EasySense
- Dimensions: 53mm x 26mm x 1.5mm



### Accessory Mounting Bracket

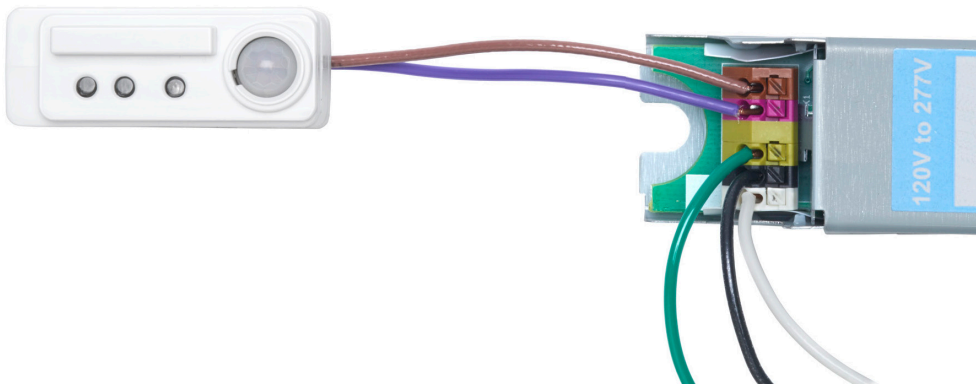
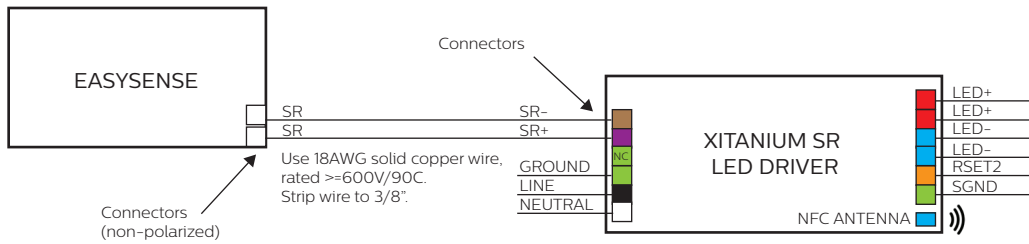
Part Number SMB-50 / Set of 50

- (1) SMB-50 includes (50) mounting brackets
- Ordered separately, not included with EasySense
- Dimensions: 64.1mm x 25.3mm x 10.3mm



# EasySense fixture-mount sensor

## Wiring Diagram



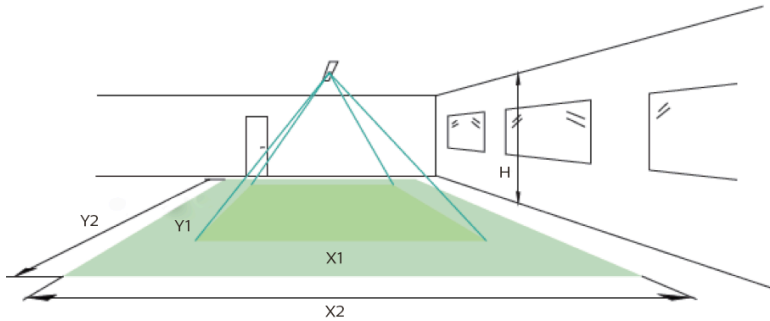
# EasySense fixture-mount sensor

## Occupancy Sensing

**Note:** EasySense SNS300 does not provide stand-alone operation based on occupancy. Status is provided to the network system for centralized control and command.

The detection area for the movement sensor can be roughly divided into two parts:

- Minor movement (person moving  $\leq 3.0'/s$  or  $0.9m/s$ ).
- Major movement (person moving  $\geq 3.0'/s$  or  $0.9m/s$ ).



Height	Minor Movement		Major Movement	
	Y1	X1	Y2	X2
8'/2.4m	10'/2.9m	9'/2.7m	15'/4.5m	9'/2.9m
10'/3m	12'/3.6m	11'/3.4m	18'/5.4m	12'/3.6m

Note: Longer dimension of detection area (Y1, Y2) is parallel to longer dimension of EasySense.

# EasySense fixture-mount sensor

## Daylight Sensor

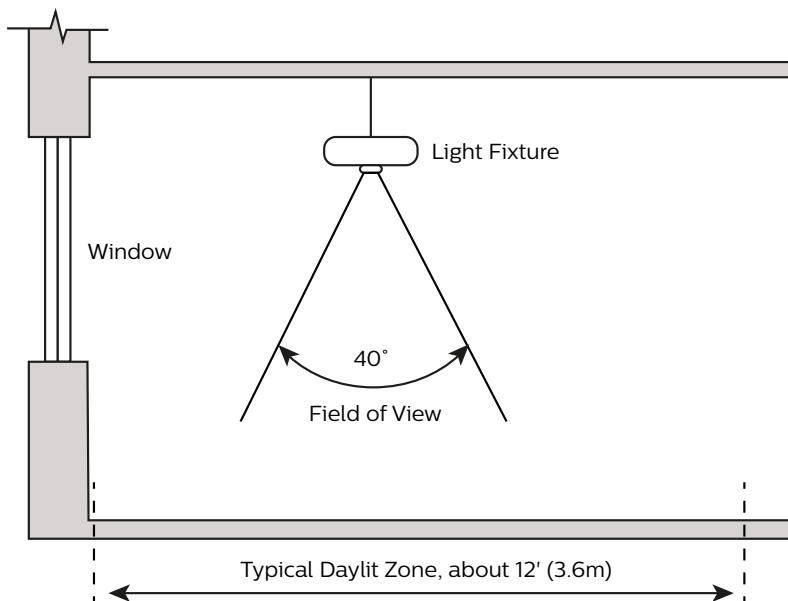
**Note:** EasySense SNS300 does not provide stand-alone operation based on daylight. Status is provided to the network system for centralized control and command.

The light sensor measures the total amount of light in a circular field of  $\approx 80\%$  of the PIR detection area. The following aspects should be observed during installation:

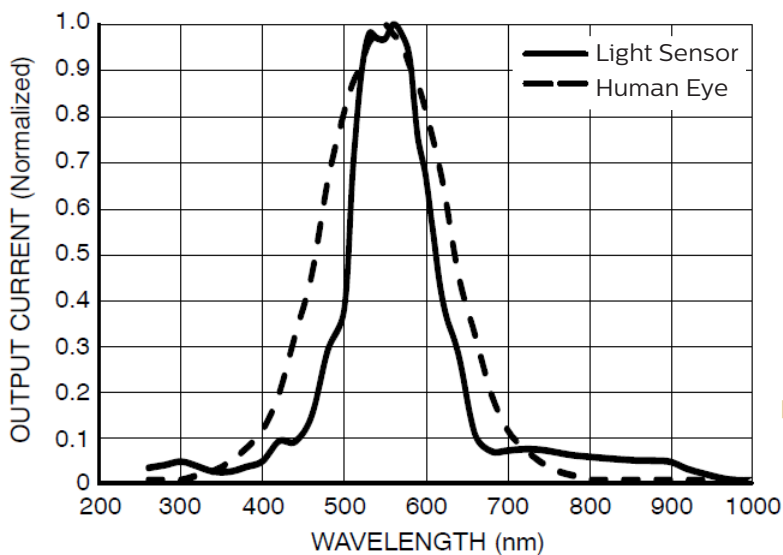
- Minimum distance from the window  $\geq 2.0'/0.6\text{m}$ .
- Prevent light reflections from outside entering the sensor (for example sunlight reflection on a car bonnet) as this will lead to incorrect light regulation.

As a guideline the formula  $0.72 \times H$  can be used to calculate the minimum distance between the window and sensor whereby H is the height from the bottom of the window to the ceiling.

## Photosensor Spatial Response

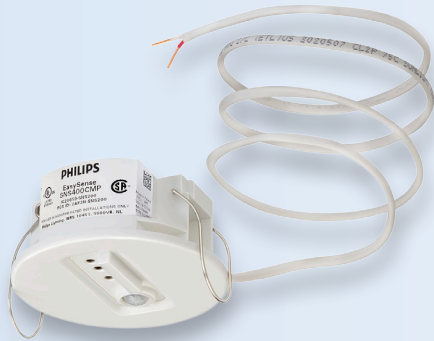


## Photosensor Spectral Response



# EasySense fixture-mount sensor

## Ceiling-Mount Option

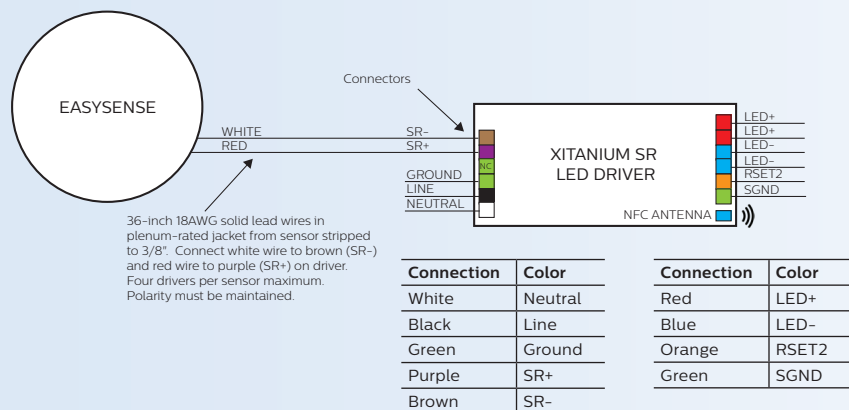


### Sensor Part Number

Order Code	SNS300CMP (517839)
Full Product Name	EasySense Ceiling-Mount Sensor
Carton Quantity	1 pc/carton
Assembly	Includes sensor pre-assembled in ceiling mounting plate with leads ready for field installation
Net Weight per Piece	2.6oz / 75gr
Color	White
No. Drivers per Sensor	Four drivers per sensor maximum; polarity must be maintained

Note: For use in non-fire-rated installations only.

### Wiring Diagram



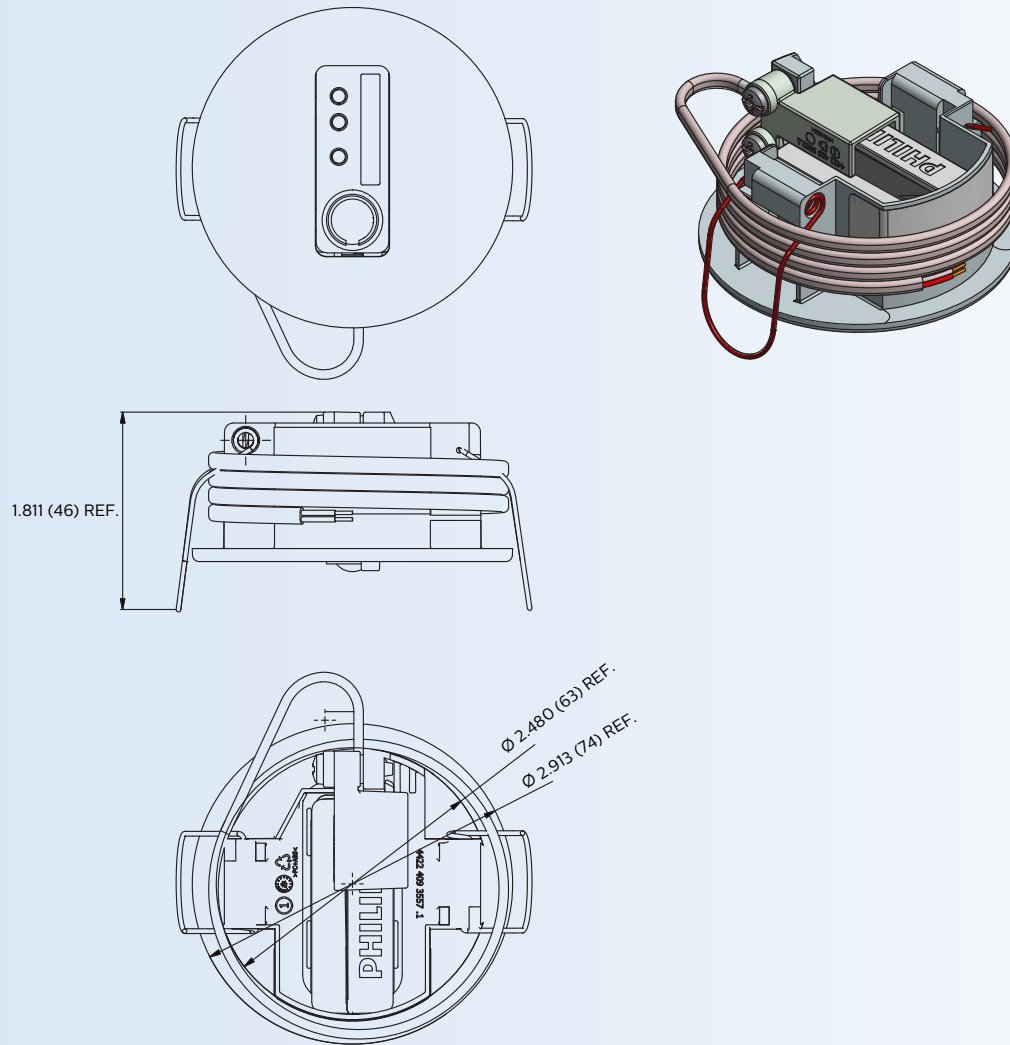
Note: Refer to [www.philips.com/easysense](http://www.philips.com/easysense) for quick installation guide.



# EasySense fixture-mount sensor

## Ceiling-Mount Option

### Sensor Dimensions (in/mm)



© 2017 Philips Lighting Holding B.V. All rights reserved.  
Philips reserves the right to make changes in specifications and/or to discontinue any product at any time without notice or obligation and will not be liable for any consequences resulting from the use of this publication.  
[philips.com/easysense](http://philips.com/easysense)



Philips Lighting North America Corporation  
10275 W. Higgins Road, Rosemont IL 60018  
Tel: 800-322-2086 Fax: 888-423-1882  
Customer/Technical Service: 800-372-3331  
OEM Support: 866-915-5886

Philips Lighting Canada Ltd.  
281 Hillmount Rd, Markham, ON, Canada L6C 2S3  
Tel. 800-668-9008