

Description

- Line voltage on/off control of lighting fixture(s)
- Multi-element PIR detector has excellent sensing performance across wide range of temperatures
- Up to 2,100 ft² coverage area at 41 ft mount height.
- 0(1)-10V dimming control compatible with dimmable LED drivers and fluorescent ballasts
- 1 second to 60+ minutes standby and dimming time delays for a wide range of installations and applications
- Daylight harvesting functionality observes ambient light threshold set at measured or preset light levels
- Built-in quick installation testing mode
- Using appropriate software, Zigbee control allows effortless setup, adjustment, override, and automation
- UV resistant, flame retardant, impact resistant, and recyclable polycarbonate construction
- ZigBee Wireless Control of Luminaires
- ZigBee Occupancy & Photo Sensor: 2.4GHz, +8dBm RF, +20dBm ZigBee transmit power

Compliance

This high bay sensor is designed for installation on a light fixture body, ideal for the following applications.

- | | |
|-----------|-------------|
| • Canopy | • Shoebox |
| • Troffer | • Floods |
| • Highbay | • Wallpacks |

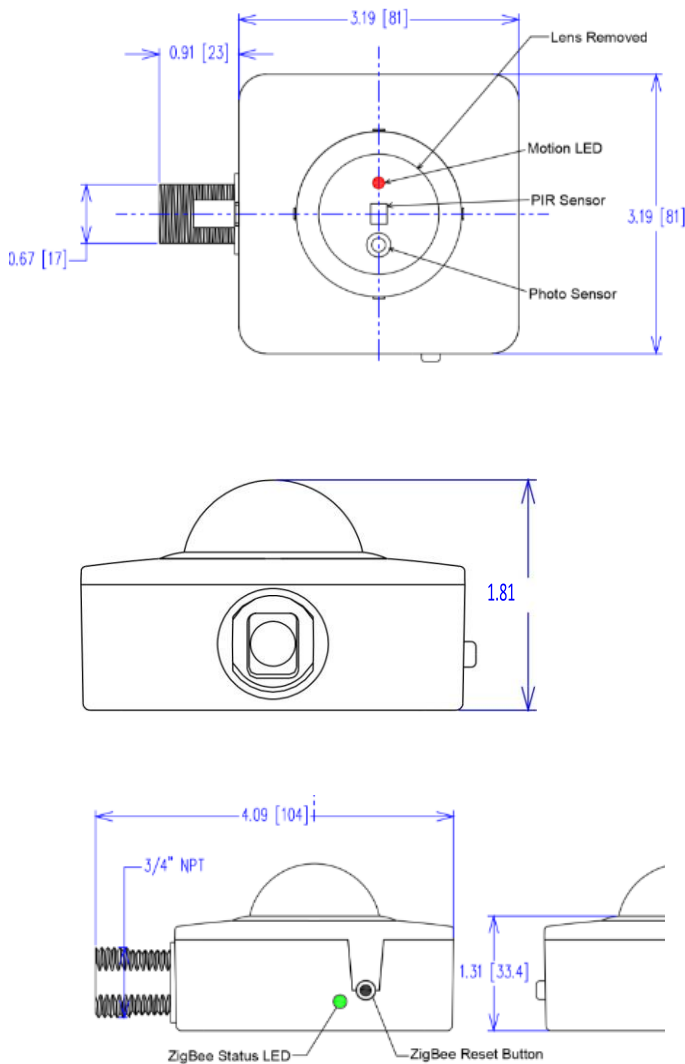


Specifications

- Operating temperature: -20 to +60°C
- Storage temperature range: -20 to +70°C
- Humidity (non-condensing): 5% - 95%RH
- Cooling: Convection
- Vibration Frequency: 5-55Hz/2g, 30 minutes
- Impact resistance: 1g/s
- Input voltage range: 100-277Vac
- Frequency: 47 - 63HZ
- AC Relay Switched Current: <9A Resistive, 1/4HP
- AC Zero Cross Switching
- Input current Module Power: <0.05A for Units power use
- Material: SVA PC Plastic Case Weight: 136 Grams (4.8 oz.) Typical
- ON/OFF and 0(1)-10V Analog Dimming Control, 100mA Sink
- Compatible with Electronic Ballasts & LED Drivers that comply with IEC60929 Annex E2, 1-10V Dimming
- ON/OFF AC switching up to 277VAC
- Stores last dim setting even when powered off



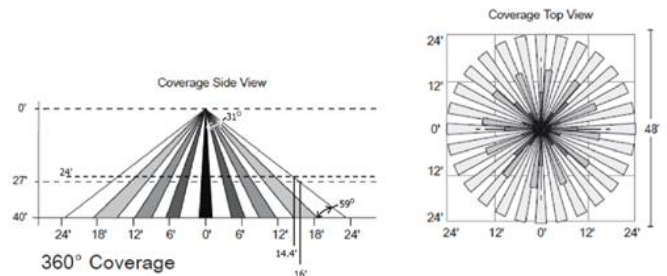
Dimensions



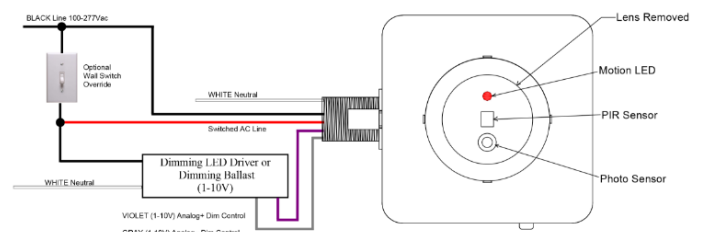
Ordering Information

SKU	Description
	A508M-ZB <i>Autani High Bay Sensor Zigbee Line Voltage High Bay Sensor</i>

Coverage Pattern



Wiring



Note: (1) Max Rated AC Relay Loads (RED Wire): AC Zero Cross Switching Fluorescent Ballasts, LED Drivers, Incandescent & Inductive Loads:
 1200W @ 277VAC, 4.33A, 1/4HP
 1000W @ 208-240VAC, 4.17A, 1/4HP
 800W @ 120VAC, 6.67A, 1/4HP
 AC Resistive Load: 100-277Vac 50/60Hz, 9A Maximum, 1/4 HP.