

Description

- Momentary paddle buttons for on/off and dim up/down control
- Control one or more remote lighting zone(s), depending on configuration
- Universal 120-277VAC input RGB status/locator LED
- Connect wirelessly via Zigbee 3.0 (Autani Lite) or Autani EnergyCenter
- Neutral wire required
- Interchangeable white, beige, and black cover plates available
- 5 year limited product warranty

Specifications

APPLIANCE

- Input Voltage: 120–277VAC (50/60Hz)
- User Controls: 2 momentary buttons for 4 total on/off and dim up/down operations, depending on duration of button press
- Radio Power: Up to +20dBm transmit
- Wireless Certification: Zigbee 3.0
- Operating Temperature: +32 to +104 °F (0 to +40 °C)
- Operating Humidity: 20–90% non-condensing
- Weatherproof Rating: IP20 for indoor use only
- Safety Certifications: UL/cUL Listed
- Regulatory Compliance: CE, RoHS, FCC, CA Title 24

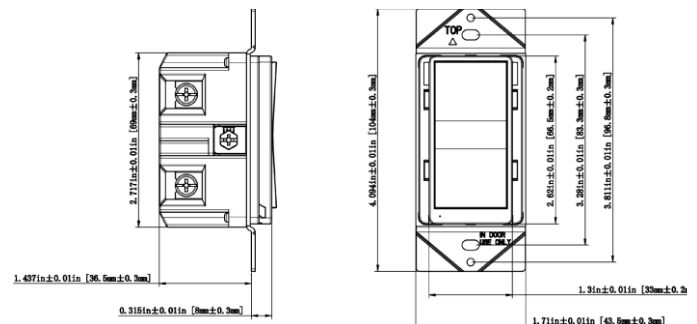
 *Indoor use only*



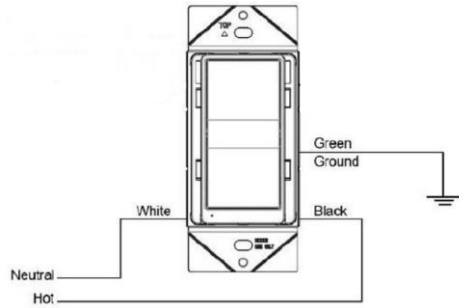
Features

- Momentary paddle buttons for on/off control and dim up/down control
- Dim and switch remote fixtures and fixture groups
- Configurable via gateway software for a wide range of installations and applications
- Zigbee 3.0 certified and Autani EnergyCenter certified for easy setup and adjustment
- AC-powered design removes need for batteries
- UV resistant, flame retardant, impact resistant, and recyclable polycarbonate construction

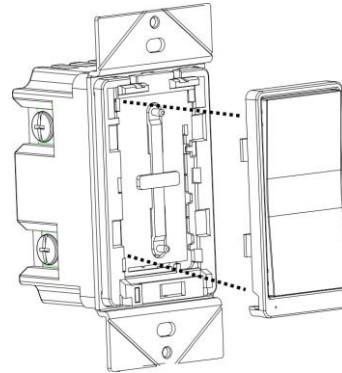
Dimensions



Wiring



Installation



Ordering Information

SKU	Description
A02-51-6217-01	AS702-ZB Universal voltage input wall mount dimmer switch