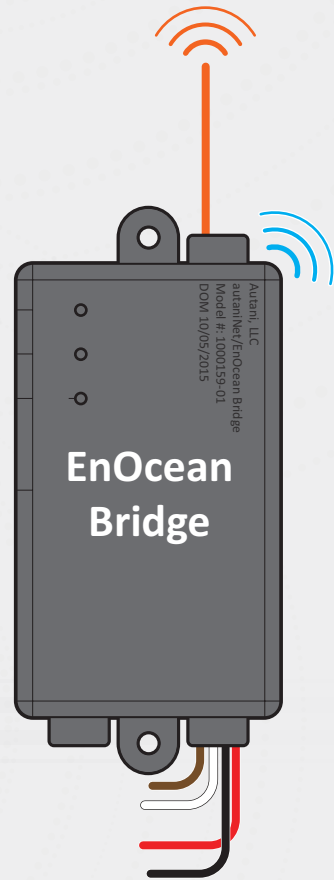


Model #:
1000159-02



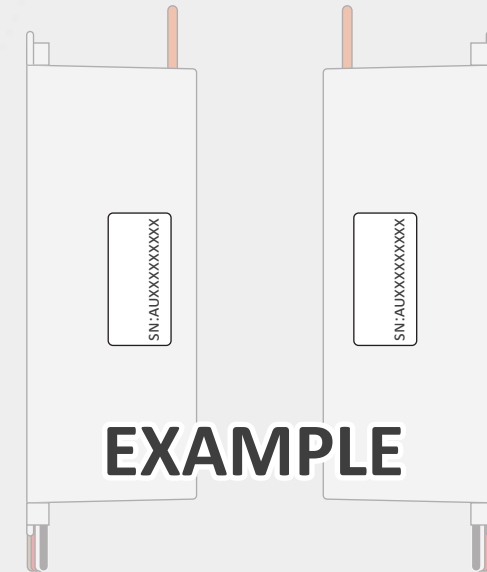
There are no user-serviceable parts inside the device. Unauthorized dismantling will void the warranty. For warranty and other legal information, go to WWW.AUTANI.COM/legal.



WARNING: Wireless devices must not be installed on metal enclosures. Be careful to mount your installed wireless devices such that it can communicate with the system.

1

On the list of device serial numbers, add the location for the autaniNet/EnOcean Bridge.



2

Wire the autaniNet/EnOcean Bridge.

Color	Signal
Red	12-24V AC/DC
Black	Common
Brown	Temperature Output (resistive)
White	Temperature Output (resistive)
Orange	Antenna Wire (<i>DO NOT CUT</i>)

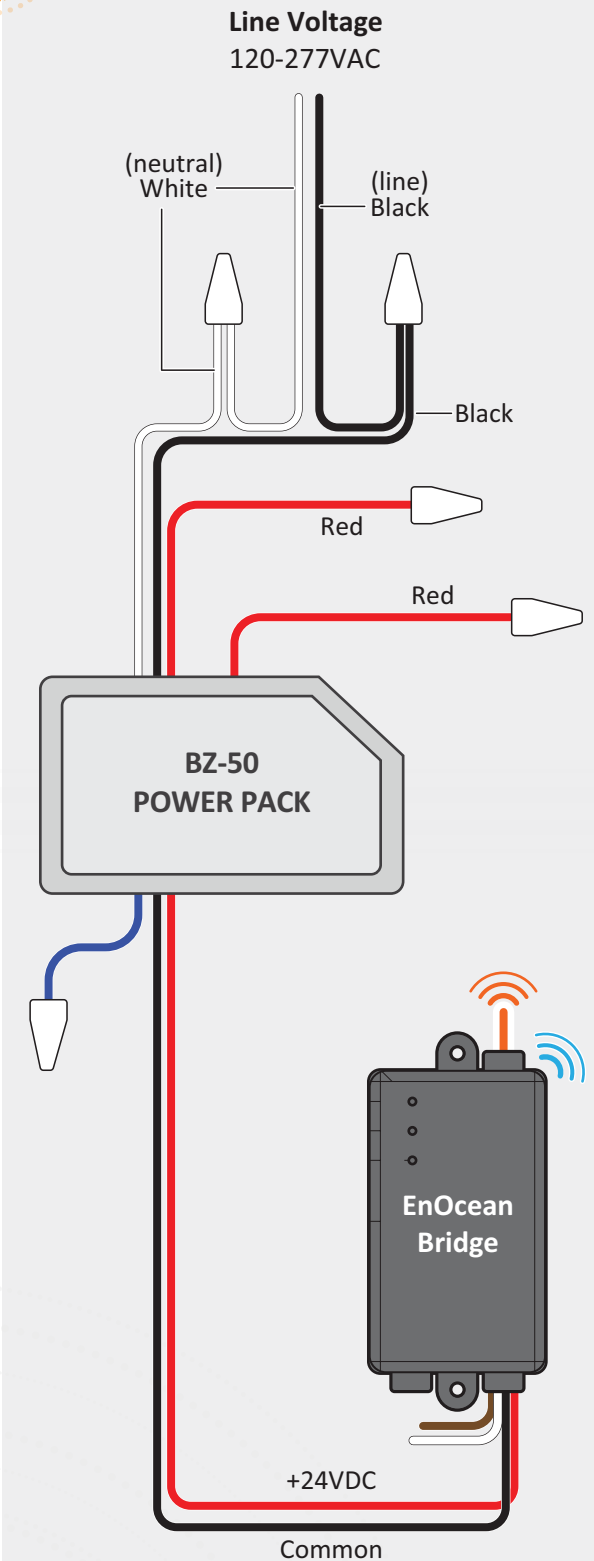
NOTE: This device can be powered either from an AC or DC power source. Current drawn is less than 200mA at 12VDC.

3

For further information, please refer to the *EnOcean Quick Start Guide* available in the autani website.

4

WIRING DIAGRAM



SERIAL NUMBER INFORMATION AND TRACKING

The serial number or ID of a device is used to track device installation locations and details for the commissioning process. The identification information for each device should be tracked in a meaningful way, many devices include duplicate 'stickers' with this information. Autani provides an iOS app to assist with the process.



For help getting starting with the iOS Commissioning App please see Autani's User Guide for the iOS Commissioning App.



Once commissioning details are collected, either through the iOS Commissioning App, or by tracking identifiers on drawings/spreadsheets. Please provide this information to support@autani.com to begin the commissioning process.